



Pictured: Base dual cabinet Recombiner configuration

4000A, 1500VDC RECOMBINER

FEATURES

- **Versatile Design:** 4000A, 1500VDC Recombiner Cabinet optimized for standalone Battery Energy Storage and Solar + Storage applications.
- **Designed for Compliance:** Designed in accordance with UL 1741 and CSA standards but not certified.
- **Customizable Protection:** Tailored input fuse options to accommodate unique application requirements.
- **Enhanced Safety:** Optional input-side disconnects provide superior isolation capabilities.
- **Integrated Control Options:** Optional input-side contactor controls for seamless operational flexibility.



TECHNICAL INFORMATION

Electrical	
Rated Voltage	1500 VDC
Rated Current	4000A
Overcurrent Protection (Input)	80A - 630A
Maximum Overcurrent Protection (Main Output)	4000A
Main Output Disconnect Switch Type	4000A Non-Load Break Rated
Maximum Number of Input-Side Dual-Fused Circuits (per cabinet)	8
SCCR	200kA
Input-Side Disconnect Options ¹	Six or eight 500A disconnects in a single-sided cabinet
Input-Side Contactor Maximum Current Option ¹	Up to 500A
Mechanical & Environmental	
Nominal Enclosure Size (H x D x W) ²	2100mm x 800mm x 2000mm (82.7" x 31.5" x 78.7")
Enclosure Rating	NEMA 3R
Ambient Temperature Range	-40 to +50 °C
Bus Bar Material	Tin-plated copper
Enclosure Material	Coated roll-formed steel
Cable Entry and Exit	Bottom feed only

1. Special order, contact factory for details
 2. Approximate outer dimensions represent the two-cabinet design for the Fuse-only OR Fuse + Input-Side Contactor configurations. Envelope dimensions for the base 4000A dual cabinet with additional MLBD cabinet are: H x D x W= 1234mm x 456mm x 7890 (123" x 456" x 789")

PART NUMBER CONFIGURATION

STG . BSR . 08 . C40 01 N . ZZ R 1 . DF N C

Input Fuse Configuration

(Pairs of fuses on both (+) and (-) terminals)

01 = 1 pairs (2 fuses total)

02 = 2 pairs (4 fuses total)

03 = 3 pairs (6 fuses total)

-

-

-

16 = 16 pairs (32 fuses total)

Cabinet Rating

C40 = 4000A, 1500VDC

Input Fuse Rating & Design

Consult factory - Available options 80A-630A

Input-Side Disconnects¹

N = None

S = Yes (Special Order Only)

Main Output Fuse Rating & Design

Consult factory - Available options 125A-4000A

ZZ = No Main Output Fuse

Number of Cabinets

Note: Number of input fuses and options will determine number of cabinets. See Key Notes.

2 = Dual Cabinet (not available with Input-Side Disconnects option.)

3 = Triple Cabinet (required for Input-Side Disconnect option; available for all other configurations.)

Surge Protector Option

N = No Surge Protector Option (consult factory if Surge Protector Option is needed)

Input-Side Contactor Option²

Blank = No Input-Side Contactor Option

C = Battery Contactor Option (Special Order Only)

Key Notes:

Configurations with no Input-Side Disconnect or Input-Side Contactor are limited to 8 fuse pairs per cabinet. Configurations exceeding 8 fuse pairs will need additional cabinets.

- **1-8 fuse pairs** = 2 cabinet
- **9-16 fuse pairs** = 3 cabinets

1) Input-Side Disconnect Option:

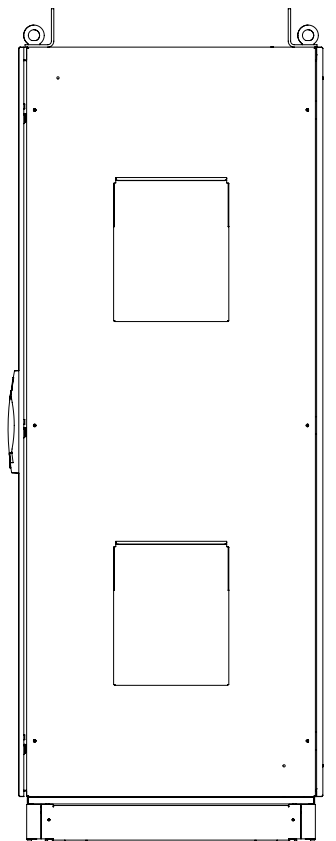
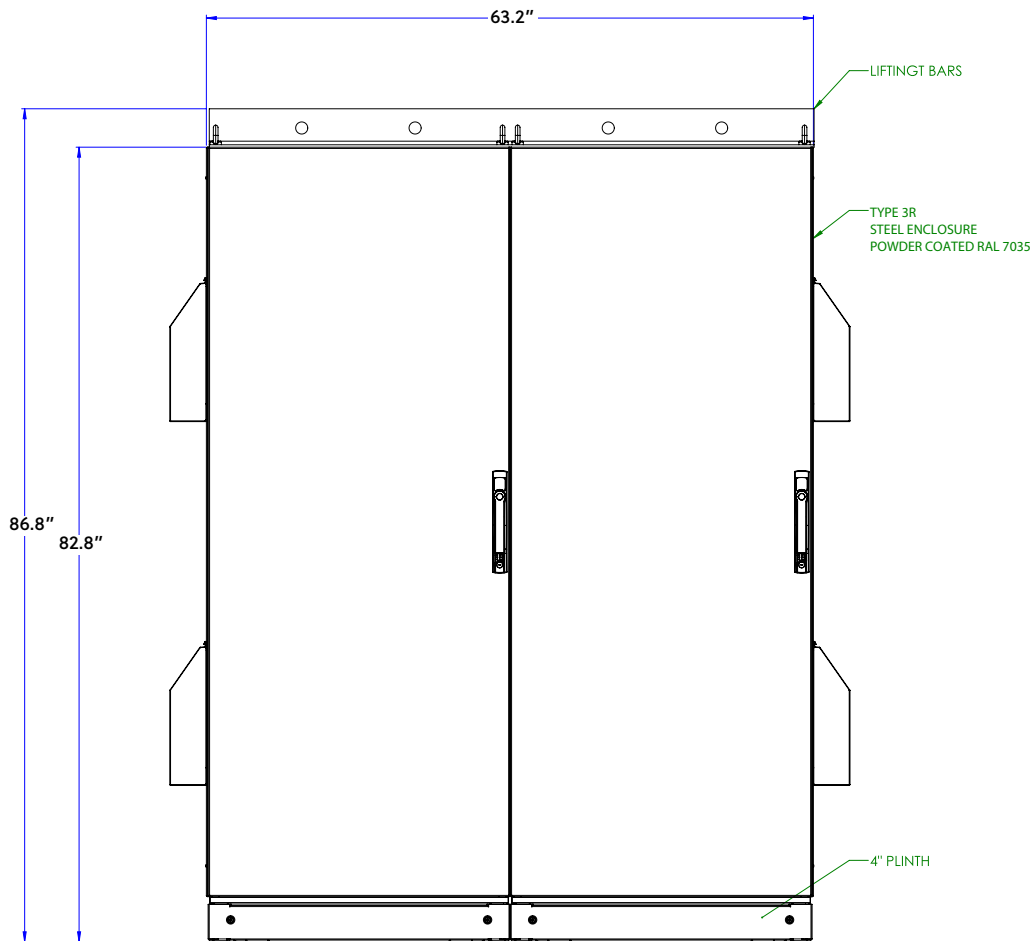
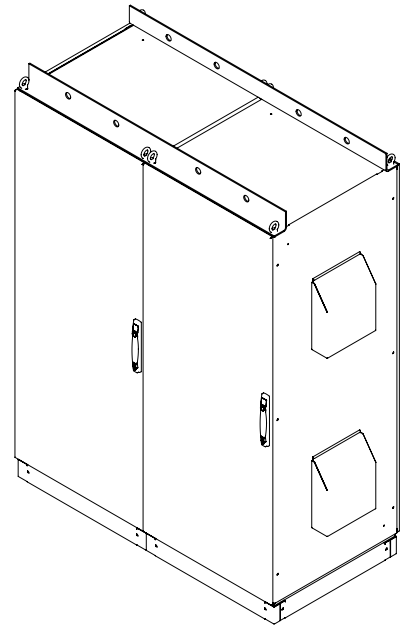
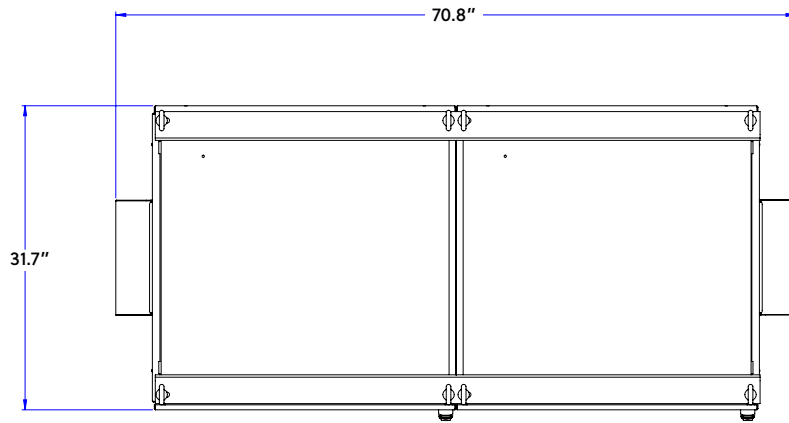
- Requires **3 cabinets**
- Input-Side Disconnects are in a separate cabinet from the fuse pairs
- Limited to a **maximum of 8 fuse pairs**
- Available with **6 or 8 disconnects only**
- Not available if Input-Side Contactor option is selected

2) Input-Side Contactor Option:

- Limited to **6 fuse pairs per cabinet**. Configurations exceeding 6 fuse pairs will need additional cabinets
 - **1-6 fuse pairs** = 2 cabinet
 - **7-12 fuse pairs** = 3 cabinets
- Not available if Input-Side Disconnect option is selected

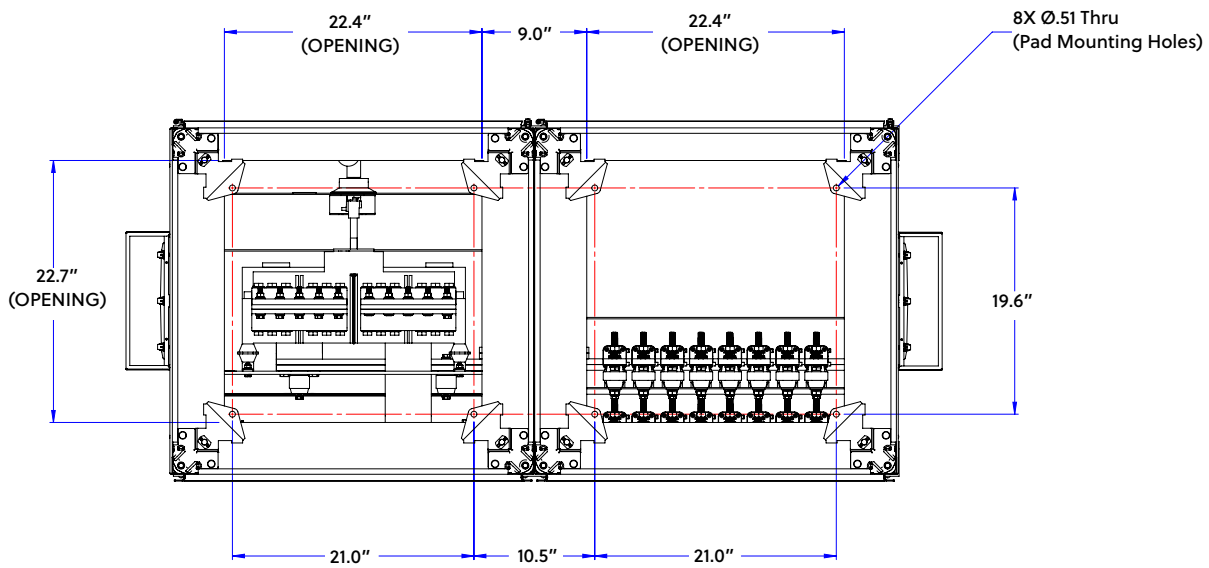
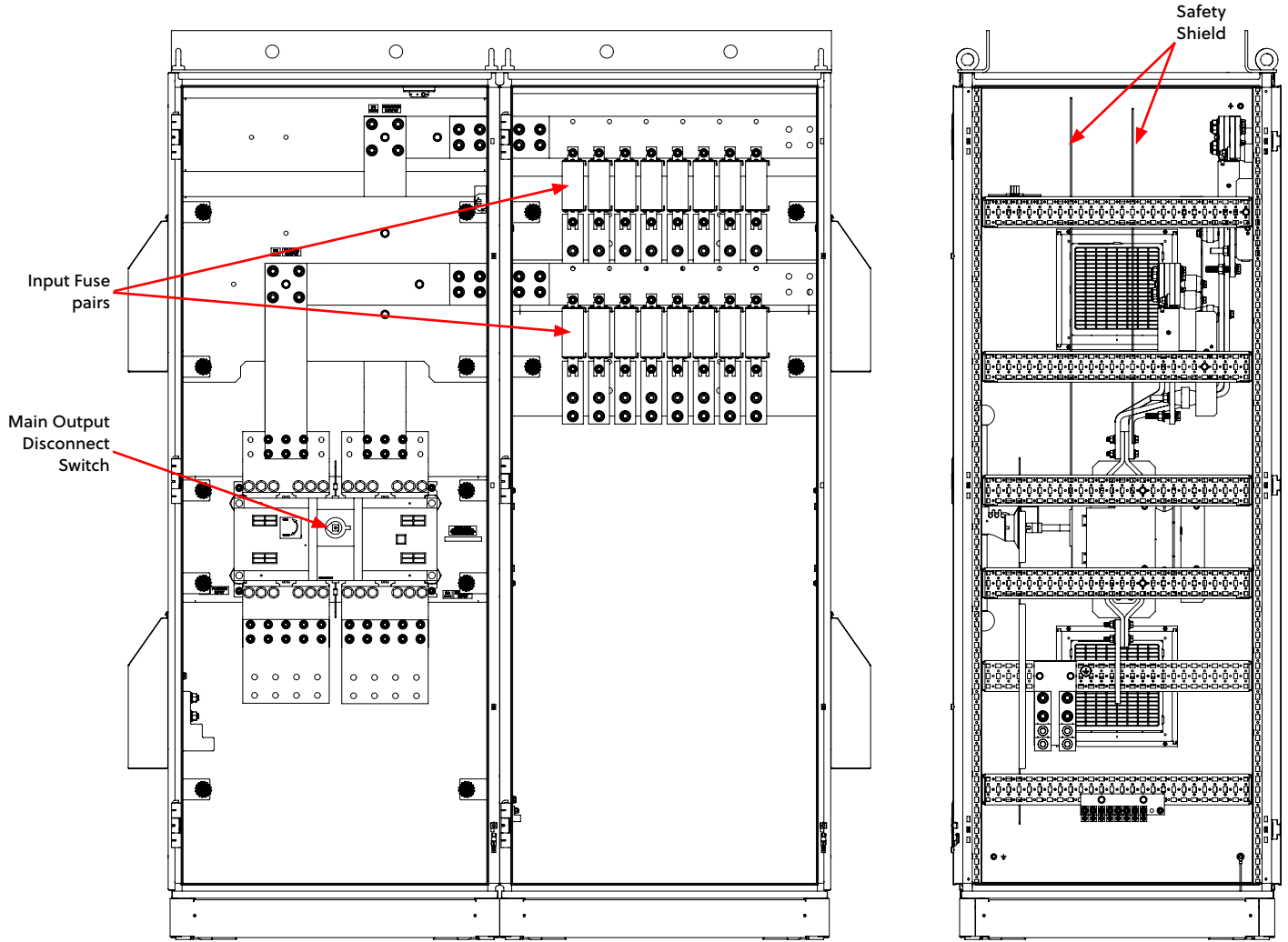
DIMENSIONS, DUAL CABINET

External dimensions for units with (1) Fuses-Only or (2) Fuses and Input-Side Contactor option.



DIMENSIONS, DUAL CABINET

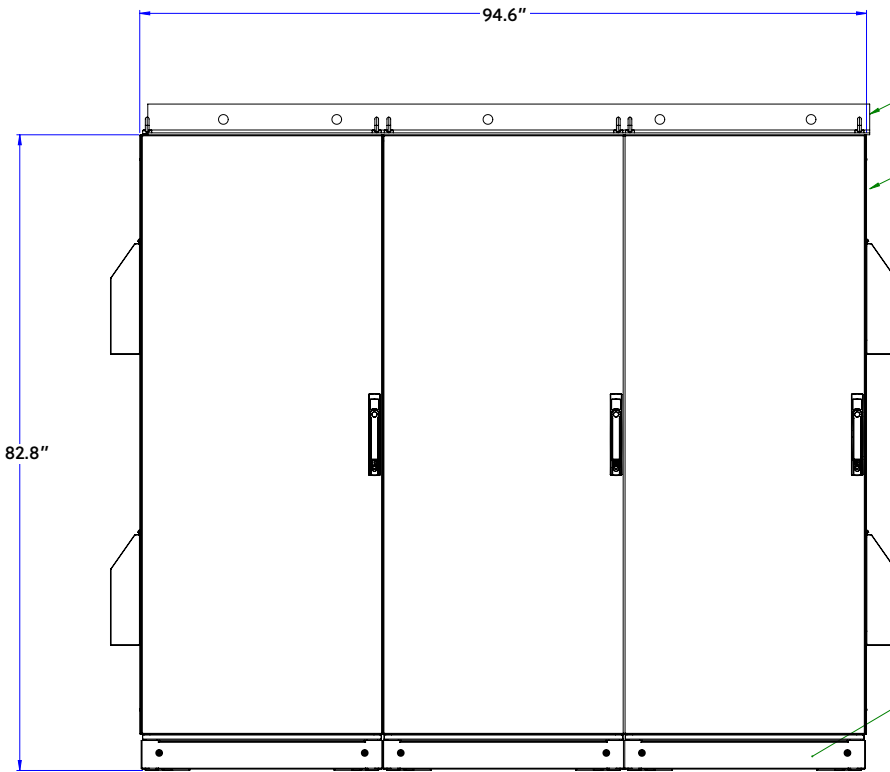
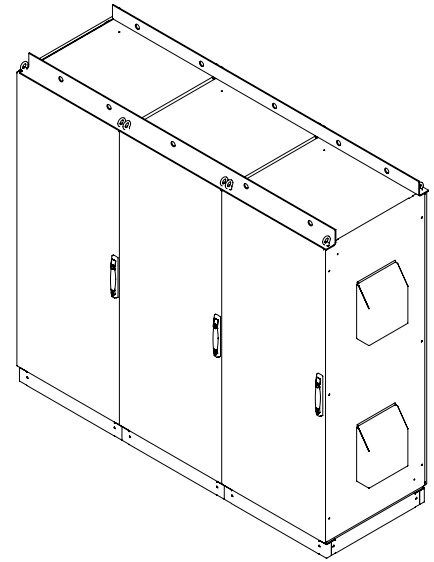
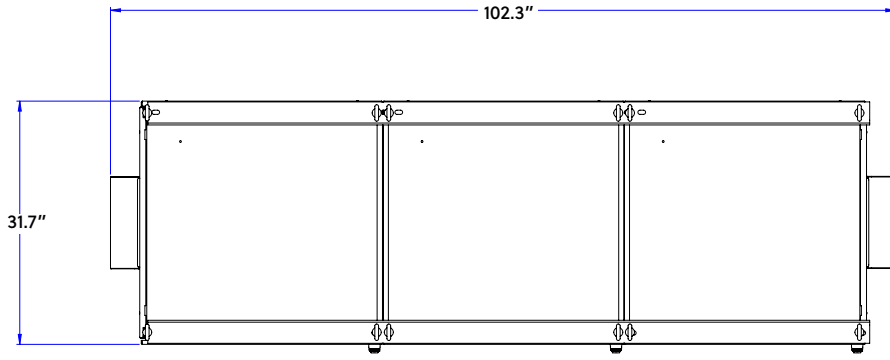
Fuse-only design internal view shown (no input-side contactors or input-side disconnect options shown)



Bottom View

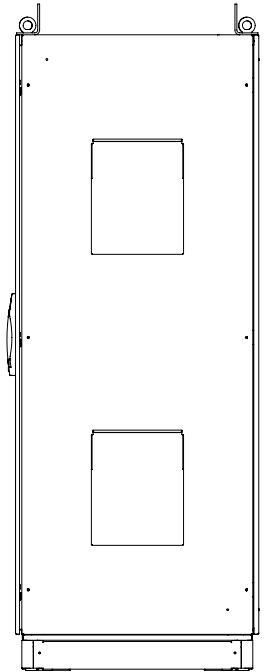
DIMENSIONS, TRIPLE CABINET

External dimensions for units with (1) Fuses-Only or (2) Fuses and Input-Side Contactor option.



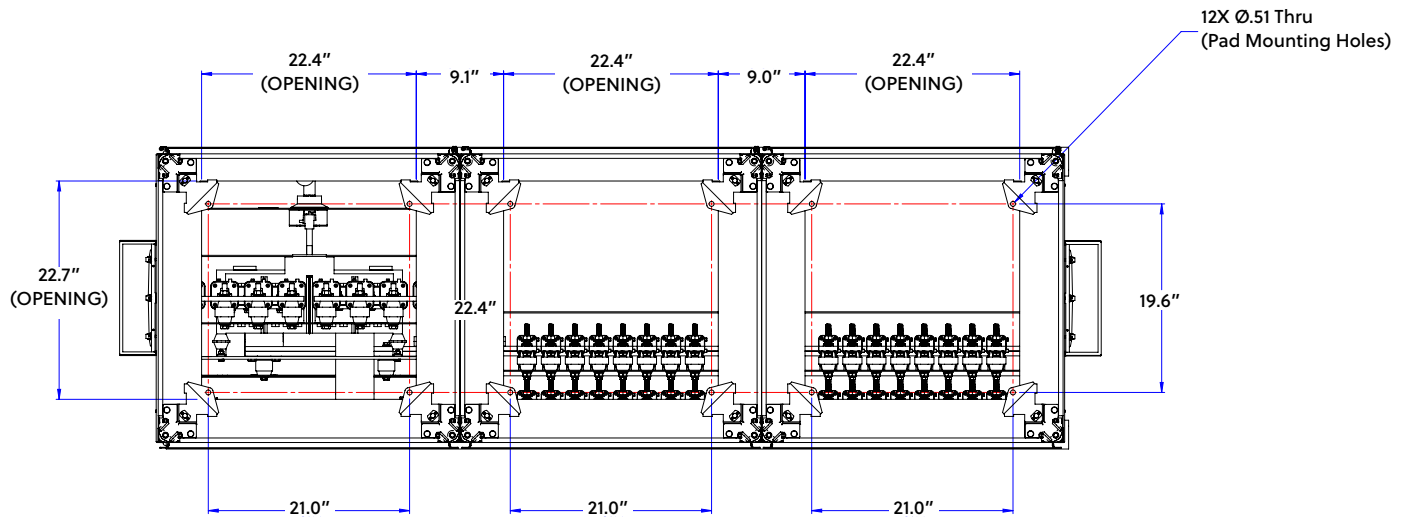
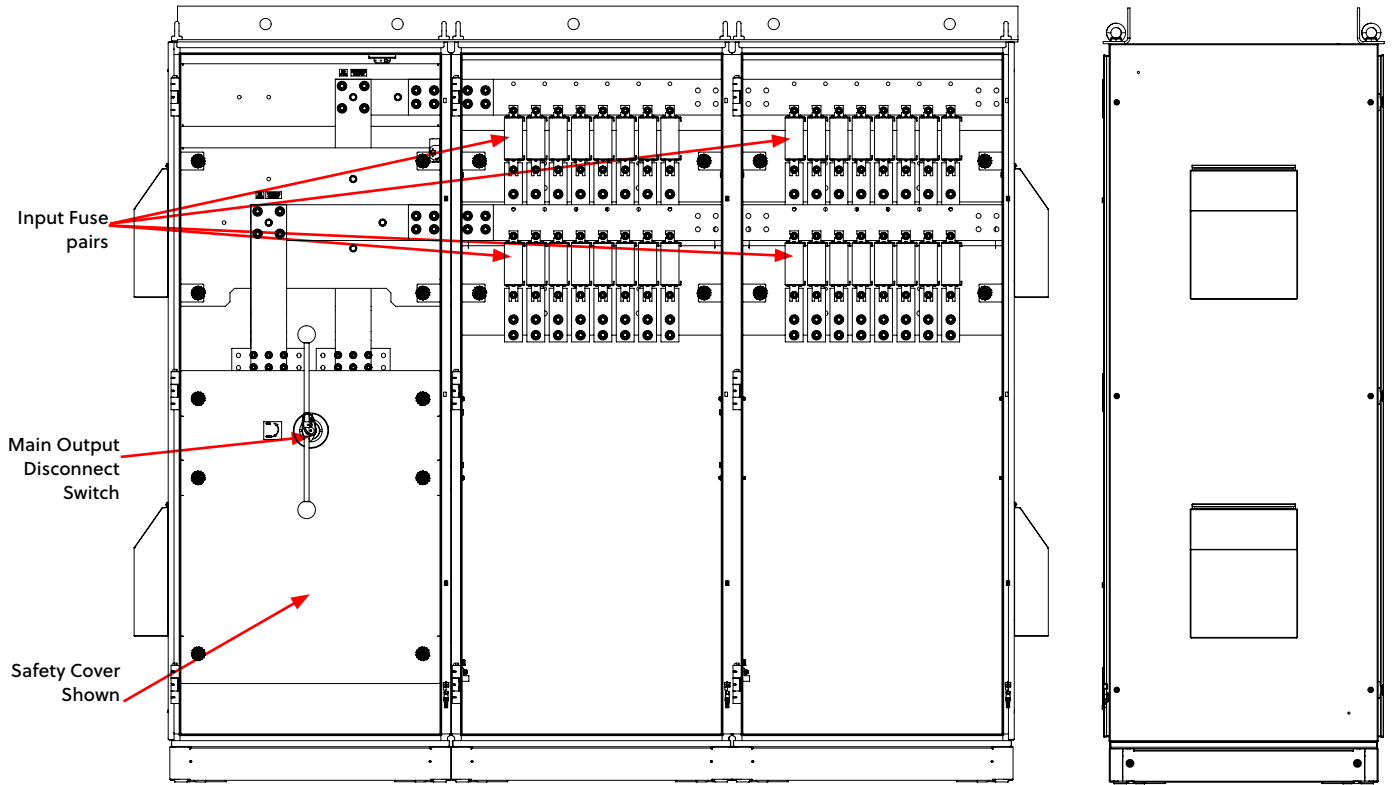
LIFTING BARS
TYPE 3R
STEEL ENCLOSURE
POWDER COATED RAL 7035

4" PLINTH



DIMENSIONS, TRIPLE CABINET

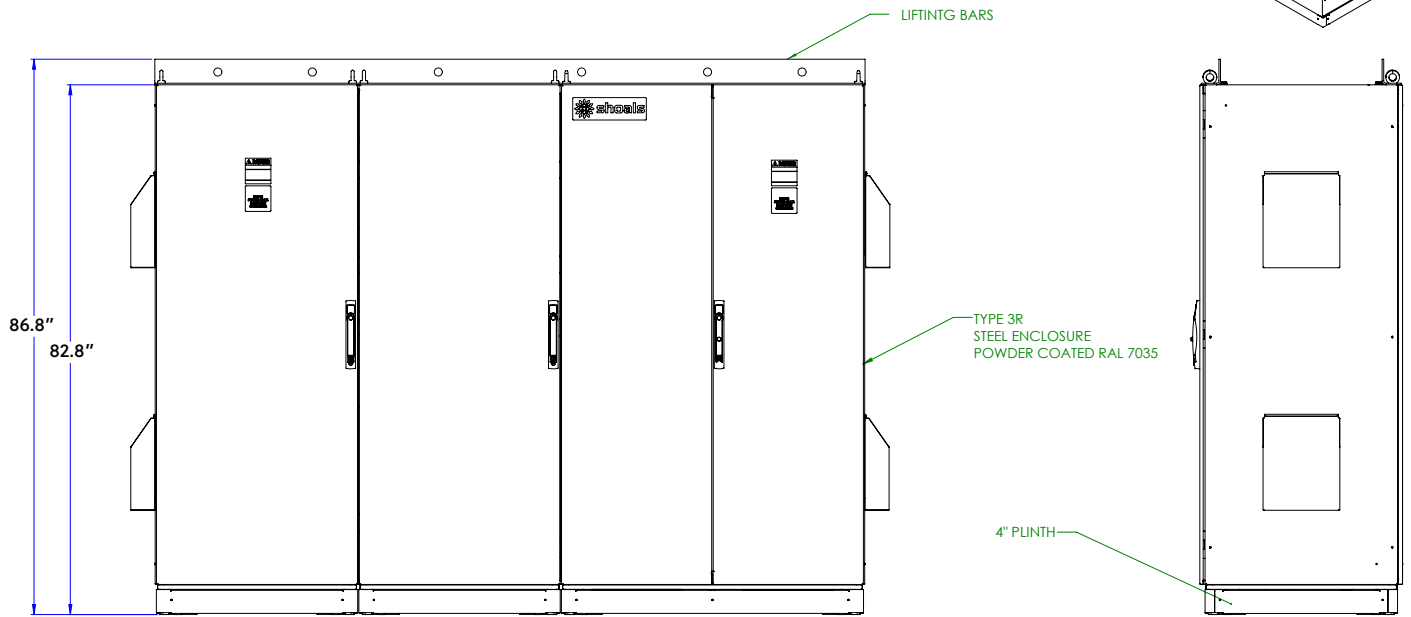
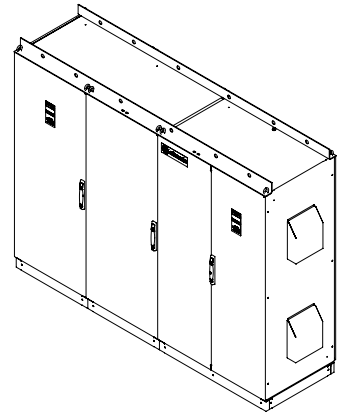
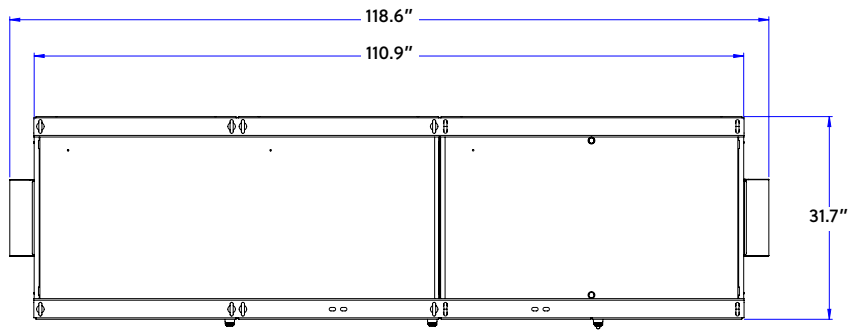
Fuse-only design internal view shown (no input-side contactors or input-side disconnect options shown)



Bottom View

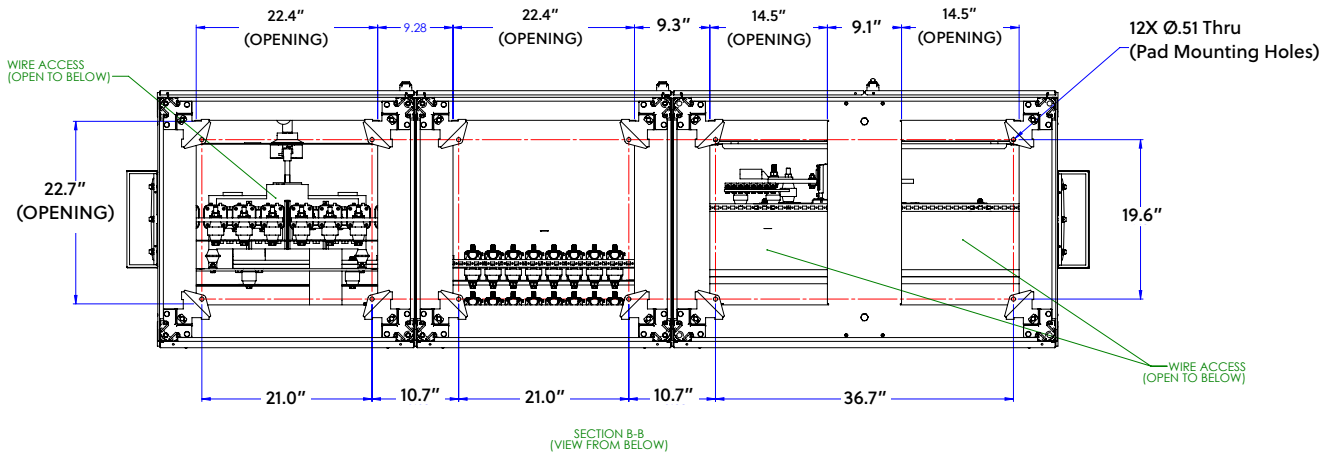
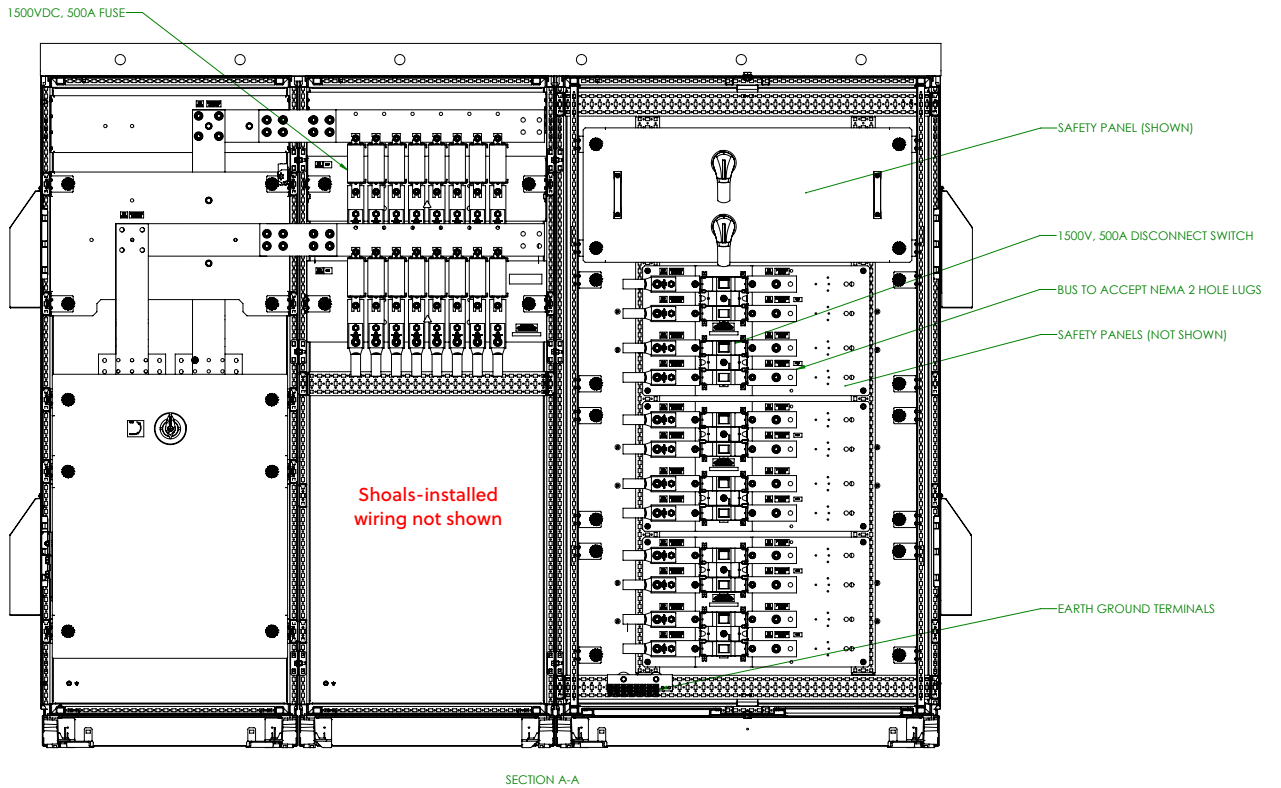
DIMENSIONS, TRIPLE CABINET

External dimensions for Fuse-only design with Input-Side Disconnect option shown (no Input-Side Contactors shown) .



DIMENSIONS, TRIPLE CABINET

Fuse-only design with Input-Side Disconnect option shown (no Input-Side Contactors shown)



Bottom View