

SHOALS™ CABLE MANAGEMENT SOLUTION DOUBLE HANGER

ABOUT

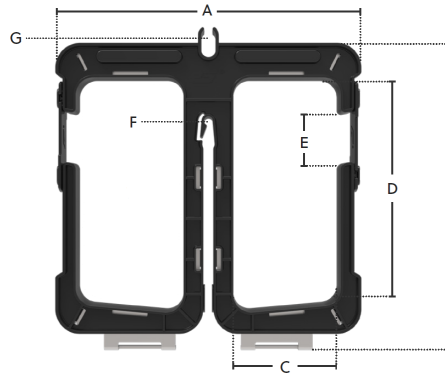
The Double Hanger, as part of the Shoals Cable Management Solution, allows you to suspend power and data cables above ground negating the need to dig costly trenches. With a capacity of up to 1170 10 AWG / 6 mm² cables, the hanger is ideal for routing cables on larger scale projects and can be stacked as part of a modular system to further improve system capacity.

FEATURES

- For use outdoors
- Simple to install
- Side loading with swing gate for fast cable loading
- UV/sunlight resistant
- Modular hook for joining multiple hangers
- Steel plate reinforced polycarbonate
- Standard 5-year warranty on all models
- UL listed to UL 2239

OPTIONS

- Divider for separating wire pairs (PN WMS00014)



A	8.50 in / 216 mm
B	8.58 in / 218 mm
C	2.95 in / 75 mm
D	6.30 in / 160 mm
E	1.34 in / 34 mm
F	0.24 in / 6 mm
G	0.39 in / 10 mm



Modular Hook
Additional capacity



WMS00014
For separating wire pairs

TECHNICAL SPECS

WMS00005

Messenger Wire OD	Up to 0.24 in / 6mm
Data/Ground OD	Up to 0.39 in / 10 mm
Bundle Capacity	Up to 2 x 18 in ² / 120 cm ² bundles
Approx. Number of Wires	750 MCM ≈ 22, 250 MCM ≈ 48, 4/0 ≈ 70, 8 AWG (10 mm ²) ≈ 588, 10 AWG (6 mm ²) ≈ 1170, 12 AWG (4 mm ²) ≈ 1460
Working Load	66 lbs / 30 kg
Operating Temp. Range	-40°C to 90°C

Product design and specification subject to change or modification without notice.

